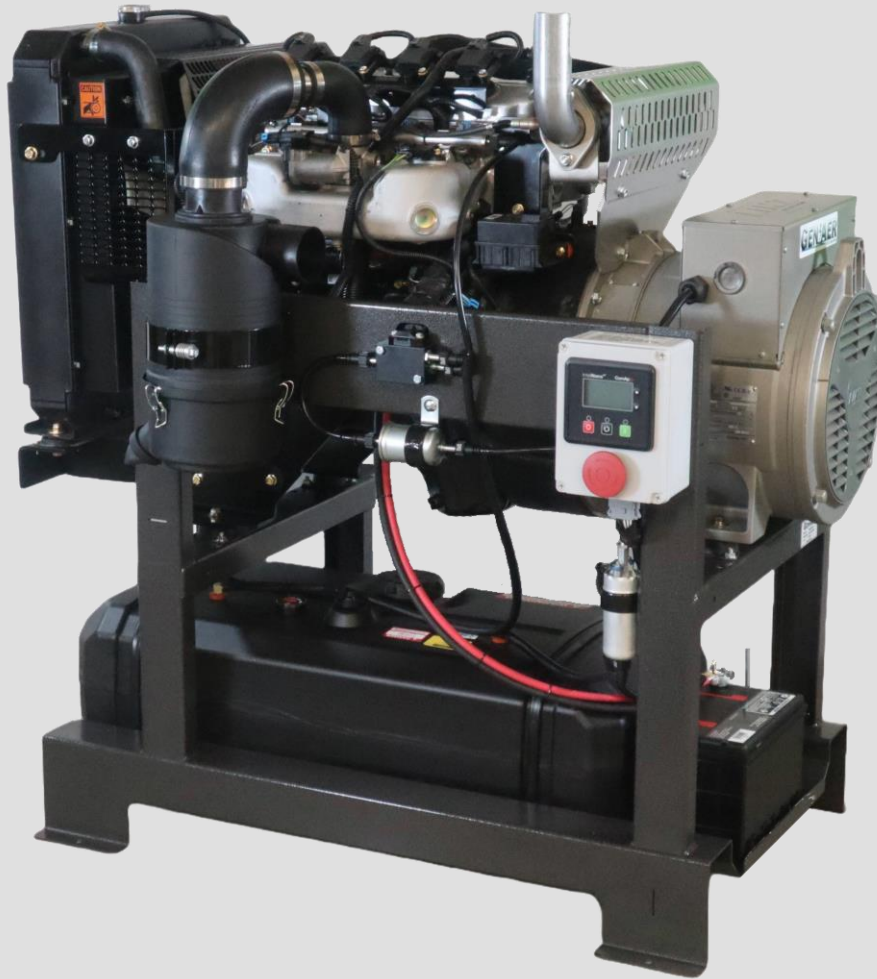


GenAer PG22G Gasoline Generator



Power Output - KW

- 22 KW Continuous
- 24 KW Standby

Power Output - Amps

- 220V Single Phase 100 Amps Continuous
- 220V 3 Phase 58 Amps Continuous

Unit Weight Less Fuel

- 950 lbs

System Features

- Mitsubishi 1800RPM Liquid Cooled gas engine
- Dedicated Single or 3 Phase Copper Wound Generator
- Electronic Control Panel
- Low Engine Oil Pressure Shutdown
- High Engine Temperature Shutdown
- 20 Gallon Integrated Poly Fuel Tank
- Powder Coated Steel Base Frame
- Spin on filters for easy engine service
- Forklift lifting pockets

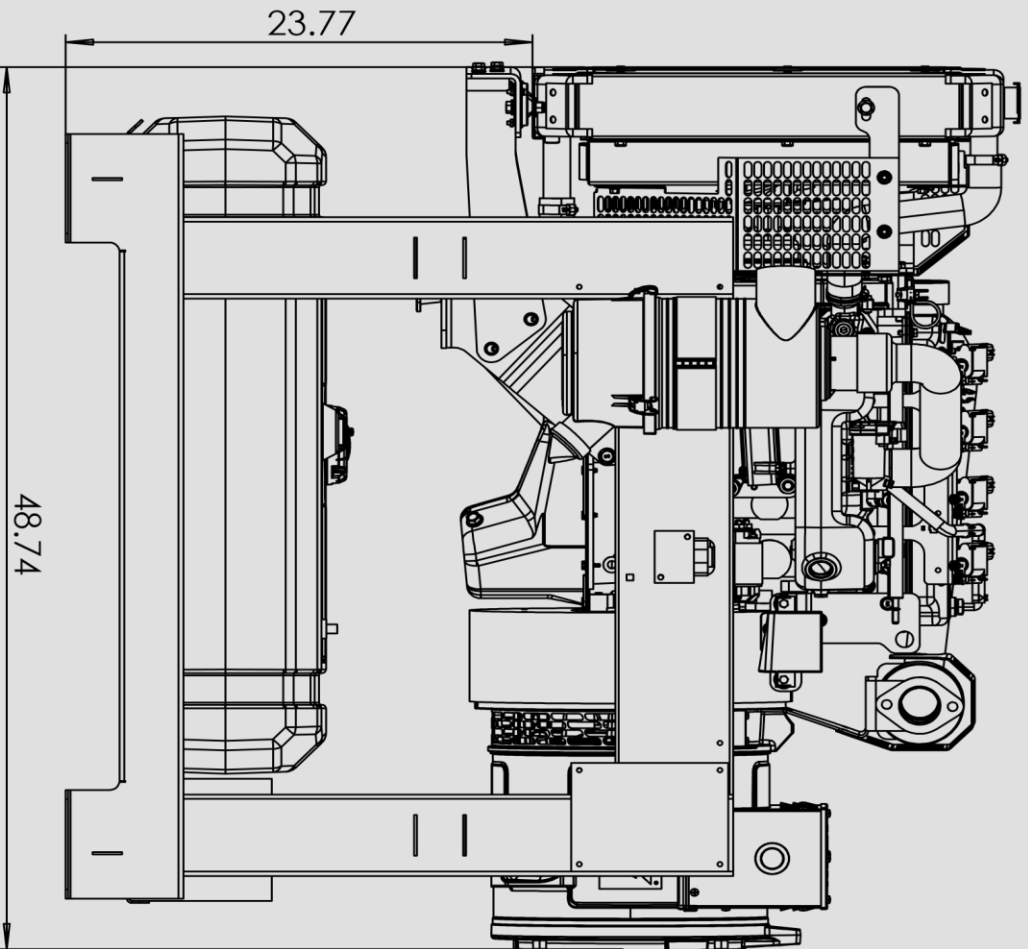
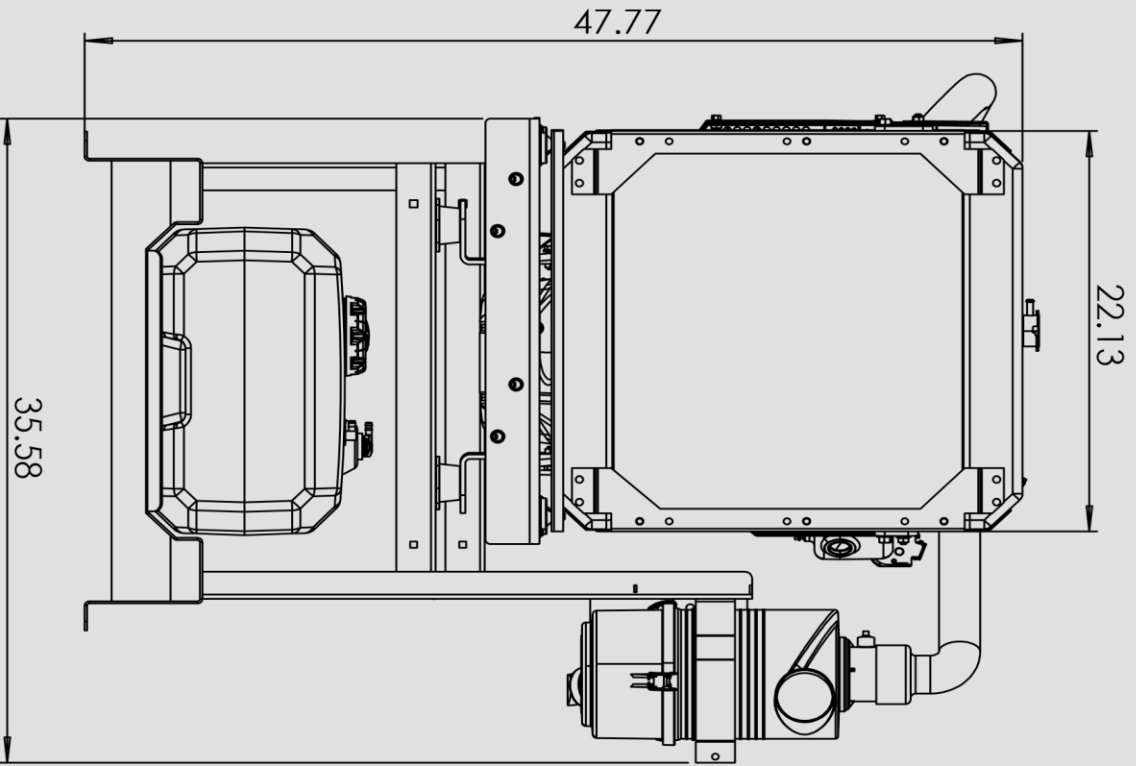
Featured Component



Chosen for their superior quality and reliability.

GENAER

Unit Dimensions



GEN  **AER**