

Prime power rated for industrial
and mobile applications

DU Series

GenAer diesel generators are built from the highest quality parts to offer years of reliable service. Select from the DU40G and DU45G standard power unit models.

- ⚡ Long lifespan
- ⚡ 208-240V/460V single or 3-phase
- ⚡ Low Speed 1800 RPM Operation
- ⚡ Excellent fuel efficiency



Why choose the DU40G

- ⚡ 40KW prime power output
- ⚡ 2.2L 4-cyl Deutz diesel engine
- ⚡ 1600 lb. weight

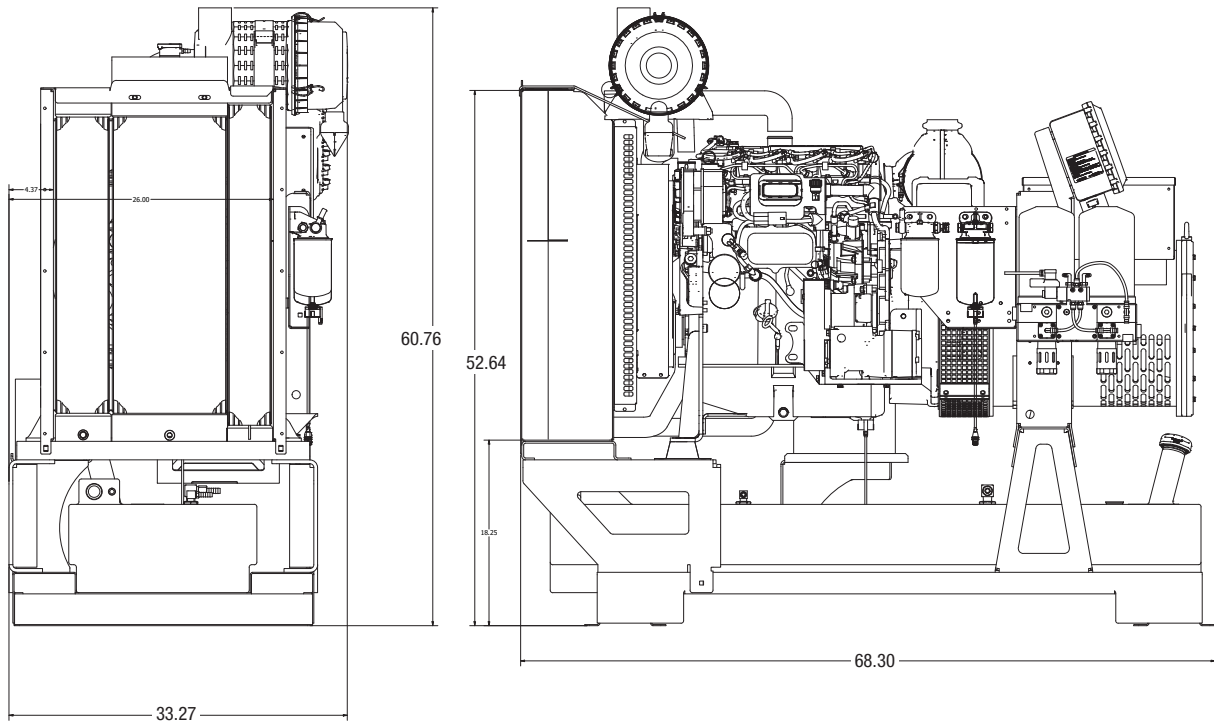


Why choose the DU45G

- ⚡ 45KW prime power output
- ⚡ 2.9L 4-cyl Deutz diesel engine
- ⚡ 1700 lb. weight

Nothing Compares to **GenAer**

genaer.com



System Features

- ⚡ Deutz Tier 4 Diesel Engine
- ⚡ 12 Lead Industrial Copper Wound Generator
- ⚡ Electronic Control Panel
- ⚡ Low Engine Oil Pressure Shutdown
- ⚡ High Engine Temperature Shutdown
- ⚡ 40 Gallon Integrated Poly Fuel Tank
- ⚡ Remote Fuel Fill Connection
- ⚡ Powder Coated Steel Base Frame
- ⚡ Spin on filters for easy engine service
- ⚡ Four way lifting pockets



Nothing Compares to **GenAer**