

Durability and Diesel-like Performance
in a Gasoline-Powered Package

PG22G

GenAer's PG22G is an affordable, powerful, and long-lasting gasoline-powered industrial generator, ideal for mobile applications.

- ⚡ Designed to withstand continuous operation
- ⚡ Similar life expectancy to a diesel-powered unit
- ⚡ Low Speed 1800 RPM Operation



Why choose the PG22G

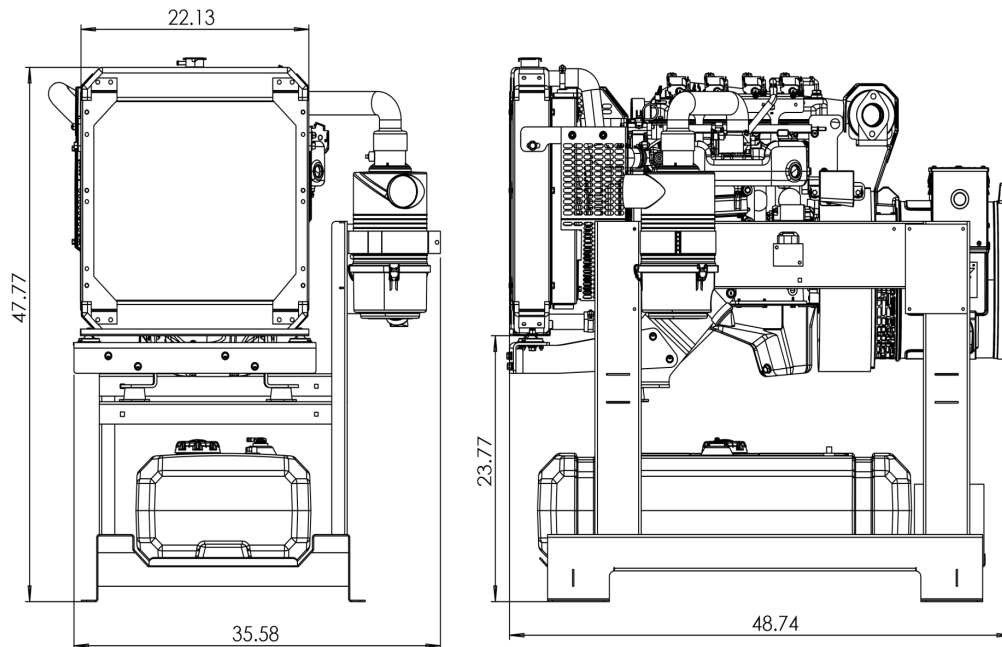
- ⚡ 13,000-18,000 hours of service life
- ⚡ Up to 50% greater fuel efficiency than air-cooled gas generators
- ⚡ 950 lb. weight for easy installation
- ⚡ 22KW continuous power output, 24KW standby
- ⚡ 220V single phase 100 Amps, continuous
- ⚡ 220V 3 phase 58 Amps, continuous

Nothing Compares to **GenAer**

genaer.com

Fuel Consumption	@10 kWe	Monthly Cost	Yearly Cost	@20 kWe	Monthly Cost	Yearly Cost
Diesel Generator	1.1 gph	~ \$615	~ \$8,000	1.8 gph	~ \$1,000	~ \$13,100
PG22G Gas Generator	1.1 gph	~ \$530	~ \$6,860	2.1 gph	~ \$1,000	~ \$13,100
Typical Portable Gas Generator with V-Twin Engine	1.8-2.0 gph	~ \$860-\$960	~ \$11,230-\$12,480	3.0-3.3 gph	~ \$1,440-\$1,580	~ \$18,720-\$20,600

* Based on the U.S. average gas price of \$3 per gallon and diesel price of \$3.5 per gallon. Operating 8 hrs/day for 5 days/week.



- ⚡ 2.4L 4-cylinder, liquid cooled Mitsubishi engine
- ⚡ Low engine oil pressure shutdown
- ⚡ High engine temperature shutdown
- ⚡ Rotational speed of 1,800 RPM
- ⚡ Dedicated single or 3 phase copper wound generator
- ⚡ Four pole generator head
- ⚡ Electronic control panel
- ⚡ 20-gallon integrated poly fuel tank
- ⚡ Powder coated steel base frame
- ⚡ Spin-on filters for easy service
- ⚡ Forklift lifting pockets



Nothing Compares to **GenAer**

The PG22G features components from **Linz Electric & Mitsubishi**, chosen for their superior quality.

genaer.com